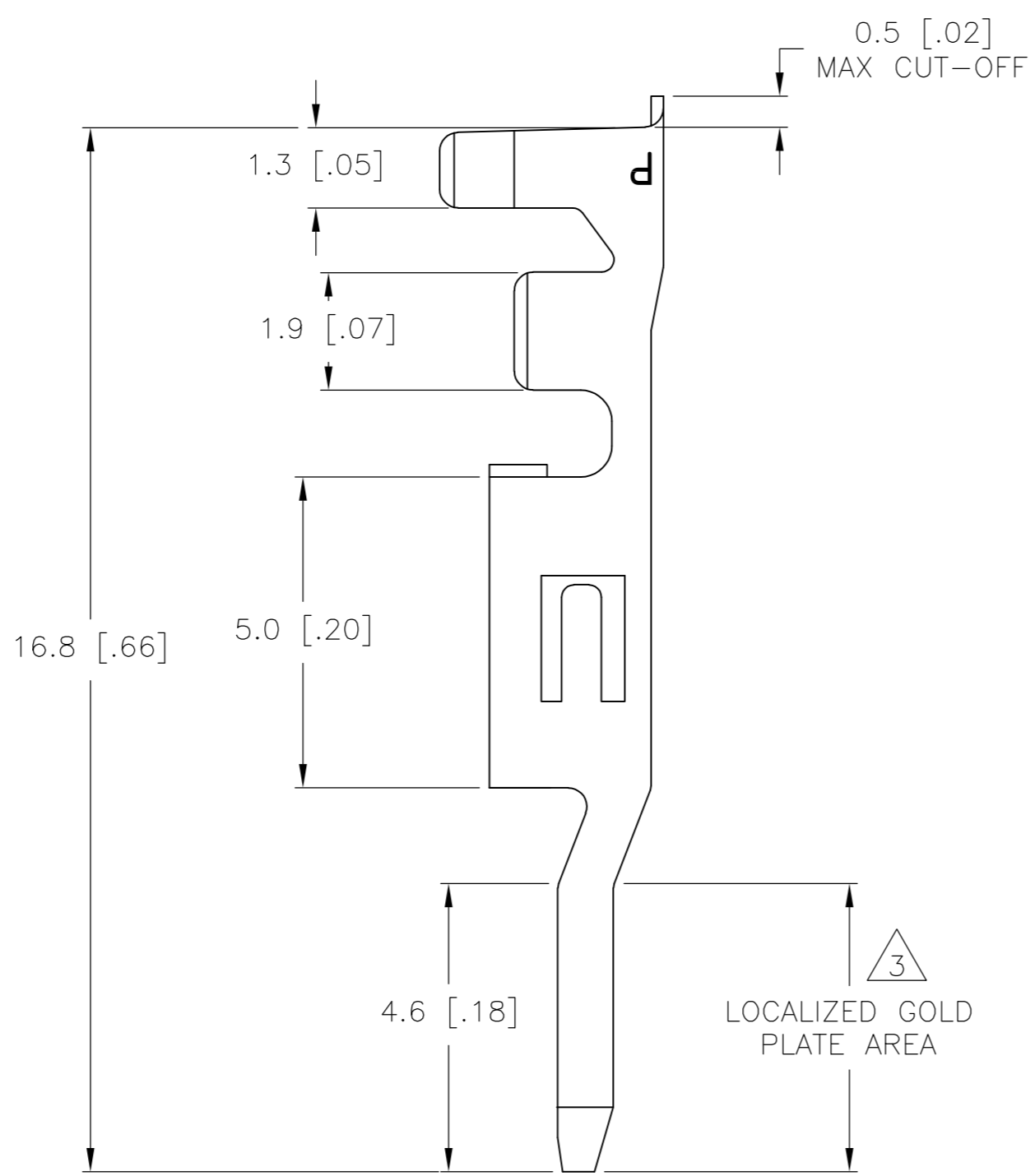
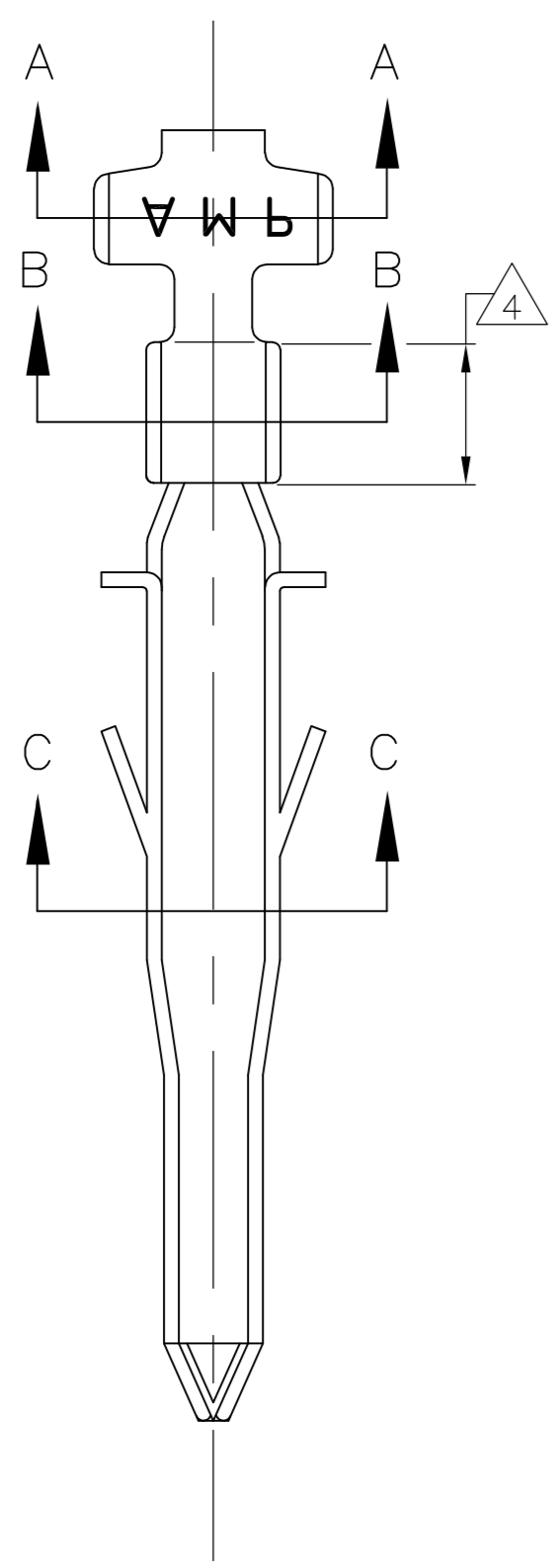
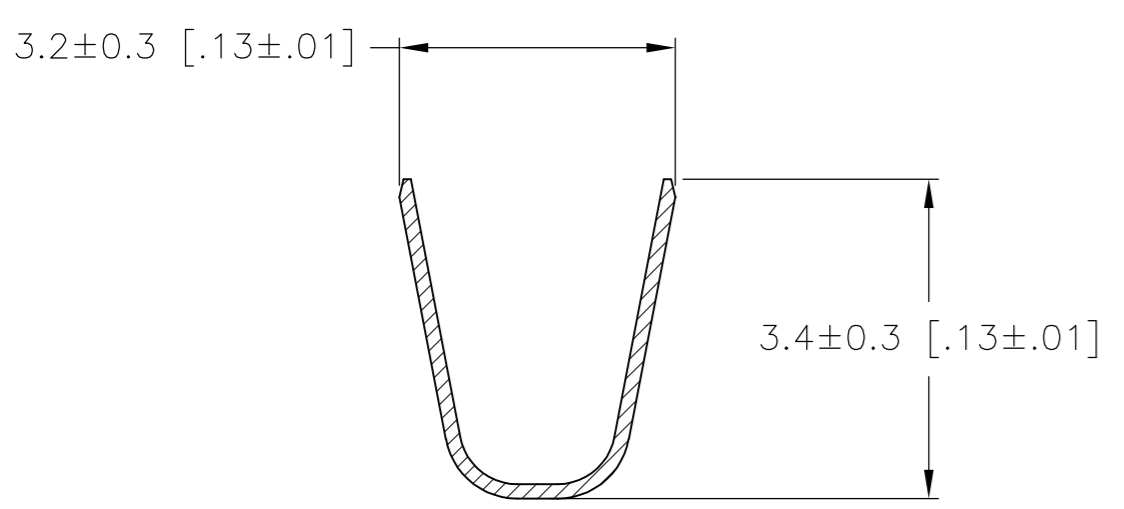


THIS DRAWING IS UNPUBLISHED. RELEASED FOR PUBLICATION
 © COPYRIGHT BY TYCO ELECTRONICS CORPORATION. ALL RIGHTS RESERVED.

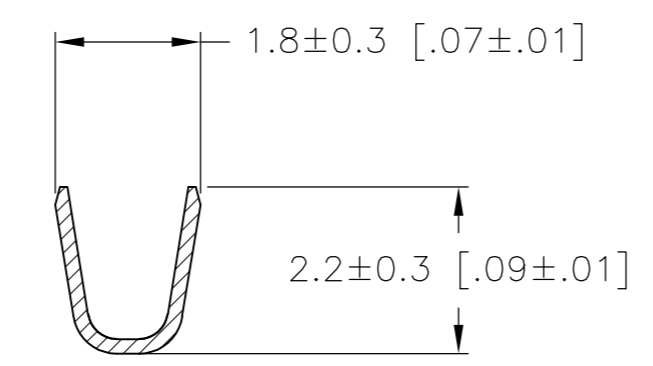
LOC	DIST	REVISIONS					
CM	00	P	LTR	DESCRIPTION	DATE	DWN	APVD
		A		RELEASED PER ECO-08-006888	24MAR08	HMR	CC



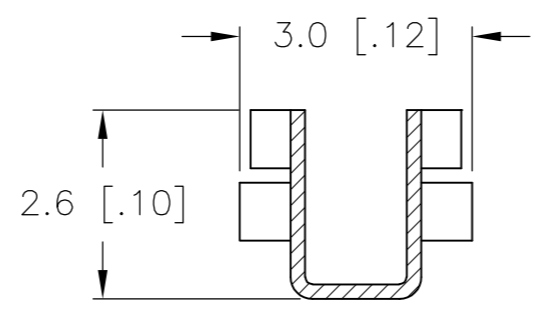
- 1 WIRE RANGE: 0.13–0.32mm² (26–22 AWG).
- 2 INSULATION RANGE: 1.20–1.75 DIA.
- 3 FINISH: 0.76μm MINIMUM GOLD IN LOCALIZED GOLD PLATE AREA OVER 1.27μm MINIMUM NICKEL
- 4 FINISH: 2.54μm MINIMUM TIN IN LOCALIZED TIN PLATE AREA.



SECTION A-A



SECTION B-B



SECTION C-C

3 4	PHOS. BRZ.	1586316-4
	PRE-TIN	1586316-3
3 4	BRASS	1586316-2
	PRE-TIN	1586316-1
FINISH:	MATERIAL:	PART NO.

DIMENSIONS:		TOLERANCES UNLESS OTHERWISE SPECIFIED:		THIS DRAWING IS A CONTROLLED DOCUMENT.		DWN		14-OCT-2003	
mm	[INCHES]	0 PLC	±	S. HOOVER	14-OCT-2003	Tyco Electronics Corporation Harrisburg, PA 17105-3608			
		1 PLC	± 0.3 [.01]	CHK	14-OCT-2003	NAME			
		2 PLC	± 0.15 [.006]	D. COLEY		TERMINAL LOOSE PIECE, PIN VAL-U-LOK(TM)			
		3 PLC	± 0.050 [.0020]	APVD	14-OCT-2003	SIZE			
		4 PLC	±	D. COLEY		CAGE CODE			
		ANGLES	±	PRODUCT SPEC		DRAWING NO			
		FINISH	±	APPLICATION SPEC		RESTRICTED TO			
MATERIAL				WEIGHT		A2 00779 C=1586316			
				CUSTOMER DRAWING		SCALE 10:1 SHEET 1 OF 1 REV A			

1586316